

Trusted solutions for common sink & faucet problems.

Start here for simple sink and faucet repair solutions:

- Two water passageways, hot and cold, travel through most faucets.
- When you use the handle(s) or lever, one or both passageways will either be uncovered (allowing water to flow) or covered (stopping the flow).
- Faucets are categorized by the method used to cover and uncover the water passageways. The three most common types of faucets are:
 - Compression Stem
 - Washerless Ball
 - Cartridge

Need more help?

Visit www.plumbcraft.com for online how-to videos and other resources.

PlumbCraft® has been the trusted brand for plumbing home repair products for more than 50 years. Whether you're a seasoned plumber or a casual do-it-yourselfer, PlumbCraft® makes any plumbing repair job much easier.

PlumbCraft® is the trusted brand of choice for plumbing repair made easy throughout the entire home.

PlumbCraft® Essential Take-Home Guides are available for each of these plumbing home repair projects:

CONNECTION REPAIR

TOILET REPAIR

WATER SUPPLY REPAIR

DRAIN REPAIR

HOSE & PIPE REPAIR

SINK & FAUCET REPAIR

Need more help?

Visit www.plumbcraft.com for online how-to videos and other resources.

PlumbCraft®

PlumbCraft® is a registered trademark of Waxman Consumer Products Group, Inc.
Bedford Heights, OH 44146
www.plumbcraft.com
©2016 Waxman. All rights reserved.

PlumbCraft®

SINK & FAUCET REPAIR SOLUTIONS

Your Essential Take-Home Guide

Simplify your repair project:

- Check product codes to quickly find parts
- Take home this detailed guide to help with the repair
- Watch online how-to videos at plumbcraft.com



Sink & Faucet Repair Solutions

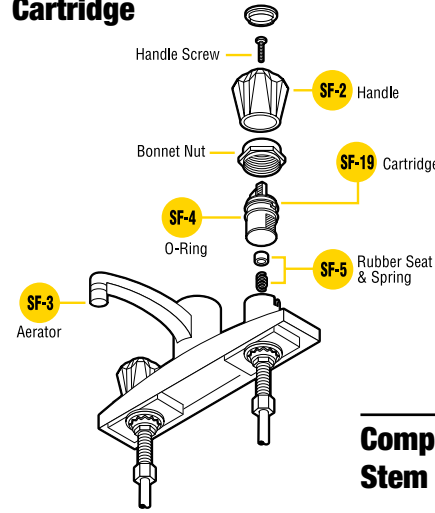
DETERMINE THE PROBLEM	DISCOVER THE CAUSE	FIND YOUR SOLUTION
Faucet drips from spout	• Old/worn cartridge or washerless ball	SF-19 or SF-18
	• Damaged rubber seats and springs	SF-5
	• Faulty stem or stem/bibb washer	SF-5
Faucet leaks from handle	• Faulty internal and/or external o-rings or cartridge	SF-4 or SF-19
	• Faulty internal o-rings or stems	SF-4 or replace stem
	• Malfunctioning ring, cam and cam washer, or washerless ball	Replace ring, SF-5 or SF-18
Diminished flow of water from spout	• Worn/damaged aerator	SF-3
Sink constantly clogs	• Faulty basket or hair snare	SF-10 (For more options, see our Drain Repair Solutions brochure)
Faucet emits uneven stream of water	• Worn/damaged aerator	SF-3
Sprayer leaks under sink	• Cracked/damaged hose or spray head	SF-16 or SF-17
Water leaks at supply line under sink	• Faulty Water Supply parts	See our Water Supply Repair Solutions brochure

A Cartridge faucet B Compression Stem faucet C Washerless Ball faucet

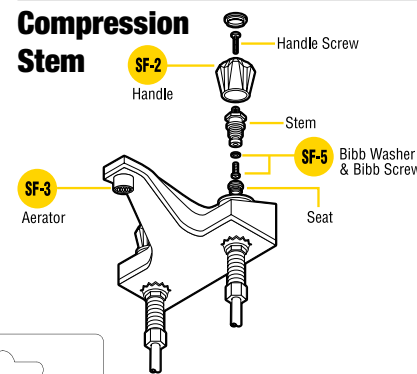
*Find these products in Drain Repair

PlumbCraft® products are packaged and marked to help you find plumbing repair parts quickly. Just use the chart to name your problem, determine the cause and find your solution. Then, look for the part codes on every package to easily find what you need.

Cartridge



Compression Stem



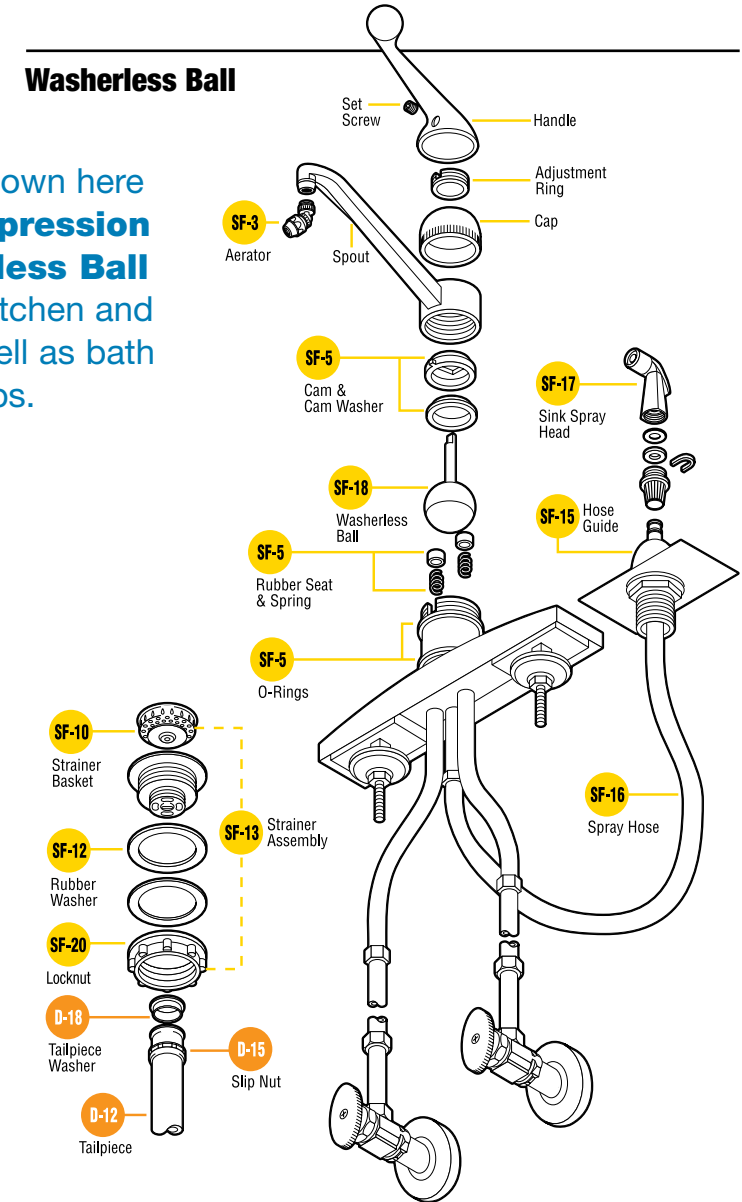
Installation

Find detailed directions for complete installation on the back of each product package. Each package also offers information on specific tools you may need, and helpful tips to make your projects easier.

Before You Start

Before you disassemble your faucet, turn off your water supply and then turn the handle(s) on to relieve internal water pressure.

Washerless Ball



The three faucets shown here – **Cartridge, Compression Stem and Washerless Ball** – can be found in kitchen and bathroom sinks as well as bath or laundry tubs.

Tip: Always remember to turn off your water supply before attempting any sink or faucet repairs.